

# AB ANGLE BROOMS



## AVAILABLE FOR: SSV65 / SSV75 / SVL65-2 / SVL75-2 / SVL95-2s

- 32" Brush diameter
- Replaceable hex drive system
- Poly, wire, or combination bristles
- Optional dust suppression system with 25 gallon tank

Angle Brooms are ideal for construction site cleanup, road maintenance, light snow removal on paved surfaces, and cart path maintenance.

Optional rubber dust deflector flap helps keep dust levels under control and out of the operator's field of vision. Optional marker indicators aid operator in knowing exact position of extreme left and right edges of the unit for safer and unencumbered operation.

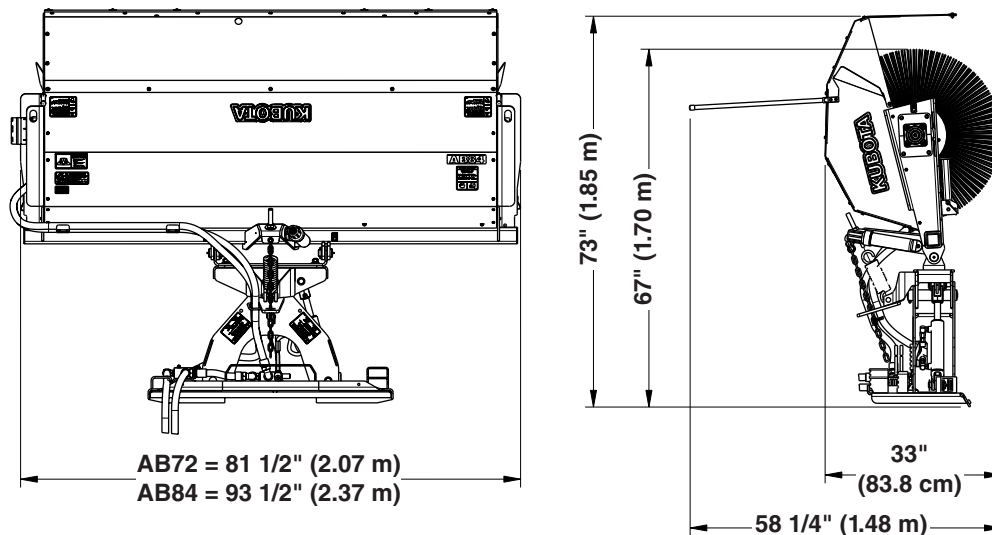


Choice of hydraulic or manual angling; high or standard flow hydraulic options are offered to ensure that cylinder travel response is safe and appropriately matched to output flow of the tractor.

	AB72	AB84
<b>Weight (kg) w/High Flow Set-up, Hydraulic Angling Jack &amp; Combination Broom</b>	854 lbs (387.4)	930 lbs (421.8)
<b>Overall Width (m)</b>	81 1/2" (2.07)	93 1/2" (2.37)
<b>Overall Height (cm)</b>	33" (83.8)	33" (83.8)
<b>Wafers</b>	2 Straight Poly Wafers 34 Convoluted Wafers	2 Straight Poly Wafers 40 Convoluted Wafer
<b>Sweeping Width (m)</b>	72" (1.83)	84" (2.13)
<b>Sweeping Width @ 30° Max. Angle (m)</b>	65" (1.65)	76" (1.93)
<b>Max. Angle</b>	Manual angling: 30° left or right Optional Hydraulic Angling: 30° left or right	
<b>Brush Diameter (m)</b>	32" (81.3)	
<b>Brush Rotor Shaft</b>	Quick change broom core with no hydraulic breakage in changeover	
<b>Brush Bristle Type</b>	100% Poly or 100% Metallic or 50% Poly and 50% Metallic	
<b>Float Control</b>	Spring loaded with adjustable down pressure & stops	
<b>Hydraulic gpm Range (lpm)</b>	12-30 gpm (45.4-113.6)	
<b>Motor Rated Hydraulic Flow</b>	<b>18 gpm &amp; Below (lpm)</b>	18 gpm (68.1) @ 220 rpm brush speed "High Flow" option not available
	<b>24 gpm &amp; Above (lpm)</b>	25 gpm (94.6) @ 230 rpm brush speed "High Flow" option available for units capable of producing flows above 25 gpm (94.6 lpm). This option protects the hydraulic motor by diverting excess flow back to the tank.
<b>Brush Speed Range</b>	100-230 rpm	

AB Series

Specifications & Capacities		
Model Number	AB72	AB84
Hitch	Skid steer quick attach, meets ISO 24410	
Weight w/ high flow set-up, hydraulic angling jack & combination broom	854 lbs (387.4 kg)	930 lbs (421.8 kg)
Overall Width	81 1/2" (2.07 m)	93 1/2" (2.37 m)
Overall Height	33" (83.8 cm)	33" (83.8 cm)
Wafer Quantities, Poly or Wire	2 Straight Poly Wafers 34 Convoluted Wafers	2 Straight Poly Wafers 40 Convoluted Wafers
Wafer Quantities, Combination Poly & Wire	2 Straight Poly Wafers 34 Convoluted Wafers	2 Straight Poly Wafers 40 Convoluted Wafers
Sweeping Width	72" (1.83 m)	84" (2.13 m)
Sweeping Width @ 30° Max Angle	65" (1.65 m)	76" (1.93 m)
Maximum Angle	Manual Angling: 30 Degrees left or right Optional Hydraulic Angling: 30 Degrees left or right	
Brush Diameter	32" (81.3 m)	
Brush Rotor Shaft	Quick change broom core with no hydraulic breakage in changeover	
Hex Drive System	Replaceable	
Brush Bristle Type	100% Poly or 100% Metallic or 50% Poly and 50% Metallic	
Hood	Sheet Metal	
Jack Stands	Standard	
Float Control	Spring Loaded with adjustable down pressure & stops	
Hydraulic GPM Range	12-30 gpm (45.4-113.6 lpm)	
Motor Rated Hydraulic Flow	18 CID Motor 18 gpm (68.1 lpm) @ 220 rpm brush speed ("High Flow" option not available.) 23 CID Motor 25 gpm (94.6 lpm) @ 230 rpm brush speed ("High Flow" option available for units capable of producing flows above 25 gpm (94.6 lpm). This option protects the hydraulic motor by diverting excess flow back to the tank.)	
Minimum Hydraulic Flow Required	12 gpm (45.4 lpm) @ 2000 PSI (13.79 MPa)	
Maximum Hydraulic Pressure Rating	3500 PSI (24.13 MPa)	
Brush Speed Range	100 - 230 Rpm	
Hydraulic Rotor Drive Motor	Single motor drive standard	
Hydraulic Hoses	Standard for drive motor hook-up Optional with angling cylinder	
Hydraulic couplers	Standard	



37785